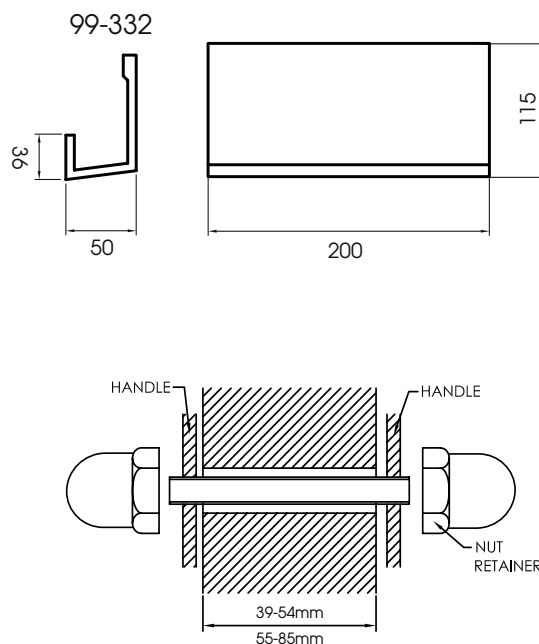


# pull handles

## Functional 99 series - Pad Handles



All dimensions shown are in millimetres

Series	Diameter Ø	Centres	Projection	Throw	Overrun	Finishes Available	Code
99-332	N/A	N/A	50	N/A	N/A	Satin Anodised	SAA
						Powder Coated	PC
						Mill	MILL
						Painted Nylon Coat	NC

### Ordering Guide - please specify the following details:

Series	Ø	Size	Fixing Kit	Finish	Door Type
99-332	N/A	N/A	N/A	SAA	Aluminium

#### Notes

Fixings not provided.

Handles are sold singular.

Powder coated handles and painted nylon coat handle colours are not ex-stock. Additional lead times should be allowed for these items and may be subject to a paint surcharge.

**Fixing kits:** (1 per handle or 1 per back to back pairs)

99.PADFIXKIT1 - Doors 39 - 54mm thick

99.PADFIXKIT2 - Doors 55 - 85mm thick

#### Colour options

For powder coated and painted nylon coat handles please contact our Sales Team on 01202 676262 for price and availability.