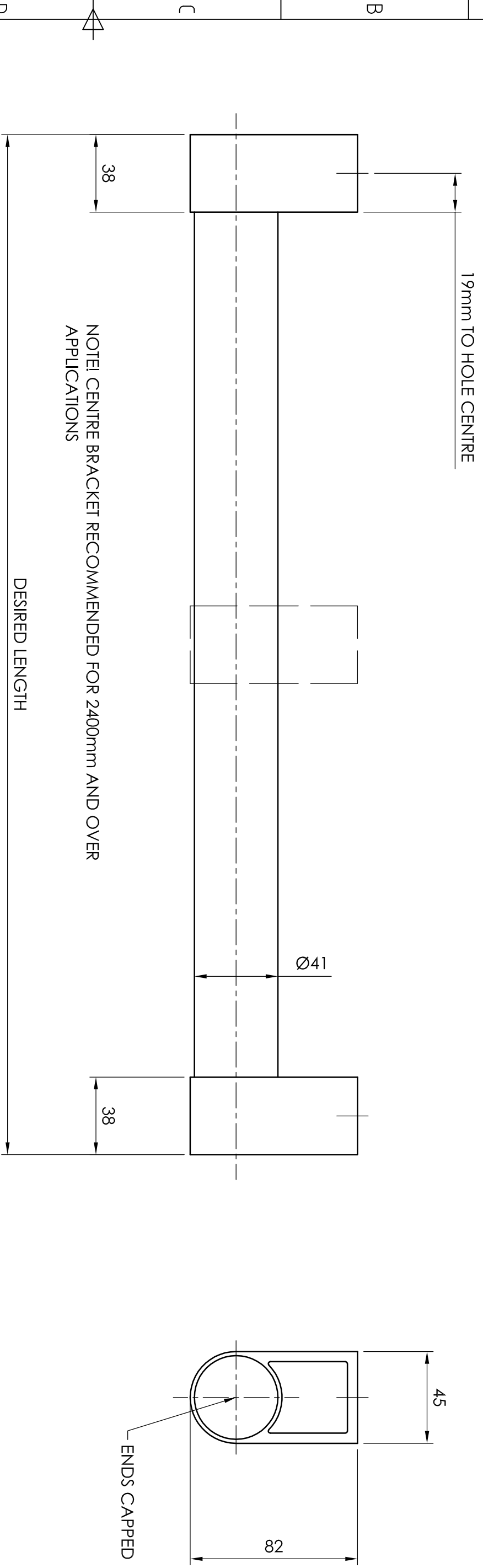




MATERIAL SPEC:-  
 ALUMINIUM: 6063T4  
 STAINLESS STEEL: GRADE 316  
 WALL THICKNESS: 1.5mm

RevNo	Revision note	Date	Signature	Checked
B	Drawing Revised	29/01/13	IRG	



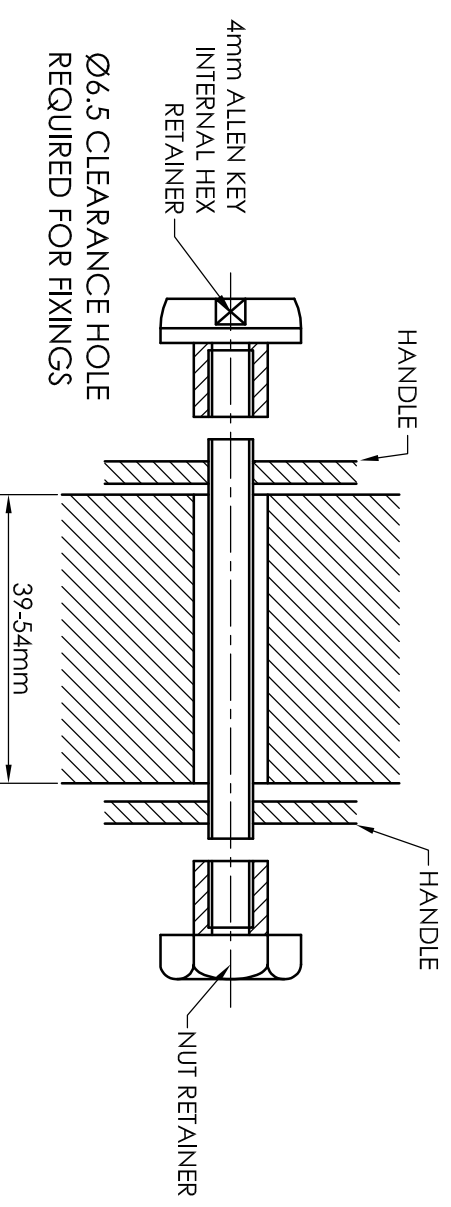
STRAIGHT PULL HANDLE BOLT-THROUGH  
 ASSEMBLED HANDLES - GLUED  
 UNASSEMBLED HANDLES - NOT GLUED  
 AVAILABLE IN ANY LENGTH FROM 305mm TO 3000mm

SSS = SATIN STAINLESS STEEL  
 SAA = SATIN ANODISED ALUMINIUM  
 PSS = POLISHED STAINLESS STEEL  
 PC = POWDER COATED  
 NC = NYLON COATED

AVAILABLE IN ANY RAL COLOUR

WHEN ORDERING PLEASE SPECIFY AS FOLLOWS:-

SERIES - PRODUCT CODE - LENGTH - BOLT THROUGH OR - FINISH - DOOR TYPE
97 - 325 - 1650 - -s/s/s - aluminium



F27 FIXING KIT SUPPLIED AS STANDARD (SCALE 1:1)  
 FOR THICKER OR GLASS DOORS PLEASE CONTACT SALES OFFICE

Itemref	Quantity	Title/Name, designation, material, dimension etc	Article No./Reference
Designed by DNT DESIGNS		Checked by	File name FUNCTIONAL 97-325
		Approved by - date	Date 02-06-2004
			Scale 1:2

**alpro** Architectural Hardware

A DIVISION OF:-  
 IEC LTD.  
 HARWELL ROAD, NUFFIELD ESTATE  
 POOLE BH17 0BD TEL: 01202 678272  
 FAX: 01202 489101 INFO@IECLTD.CO.UK  
 WWW.IECLTD.CO.UK

FUNCTIONAL 97 SERIES

97-325 Issue A Sheet 1/1